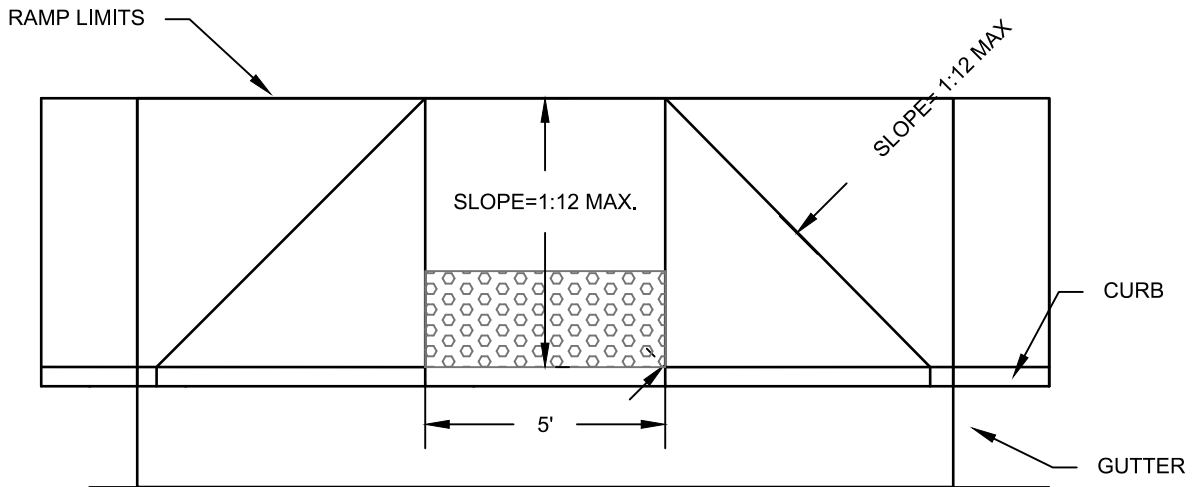


TYPE 1
TYPICAL SINGLE RAMP DETACHED SIDEWALK

INSTALL DETECTABLE WARNING STRIPS FULL WIDTH OF CURB CUT AND 2 FT. DEEP

IF EXISTING SIDEWALK WIDTH IS LESS THAN 4', PROVIDE LEVEL SECTION AT THE TOP OF RAMP TO INCREASE LANDING TO 4'



TYPE 1A
TYPICAL SINGLE RAMP WITH LANDING AREAS ON 3 SIDES

INSTALL DETECTABLE WARNING STRIPS FULL WIDTH OF CURB CUT AND 2 FT. DEEP



MISCELLANEOUS HANDICAP RAMPS

SP 02776-08

N.T.S.

7/2018