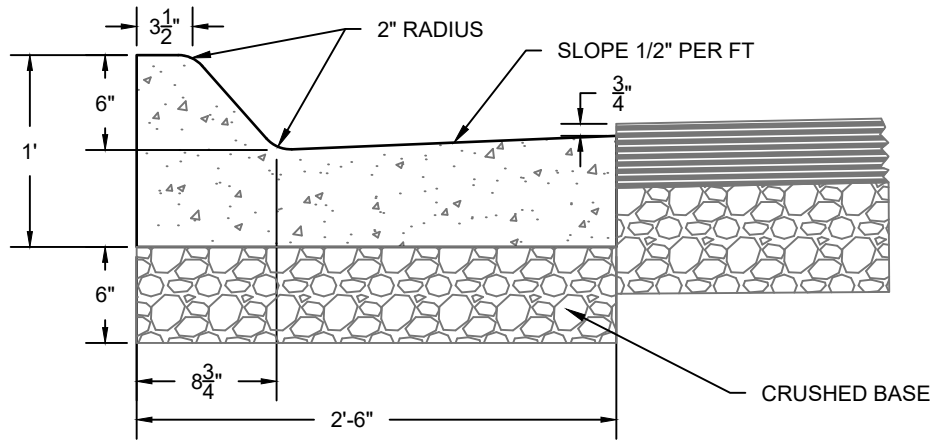
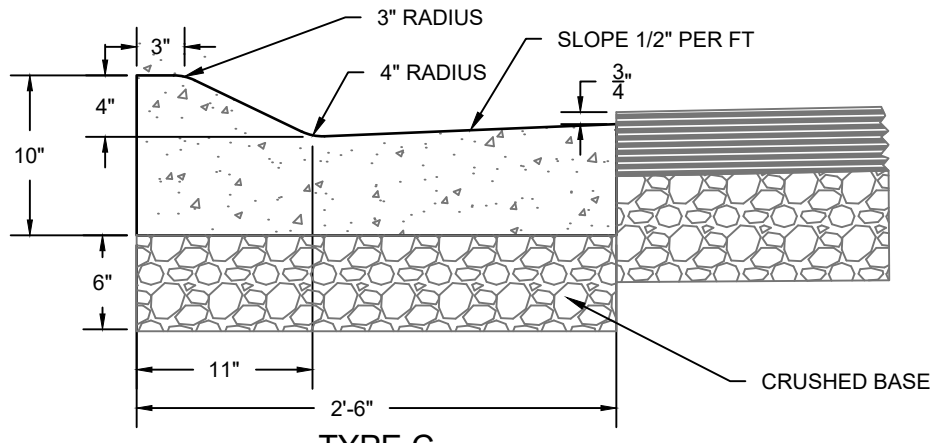


**TYPE A**



**TYPE B**



**TYPE C**

**NOTES:**

1. SUBGRADE COMPACTION SHALL CONFORM TO SECTION 02231.
2. 1/2" EXPANSION JOINT SHALL BE PLACED AT P.C., P.T., AND CURB TURNS.
3. CONTRACTION JOINTS SHALL COMPLY WITH SECTION 02520.
4. CLASS 4000 CONCRETE SHALL BE USED, SECTION 03304, PART 2.08.
5. NO CURB AND GUTTER SHALL BE PLACED WITHOUT FINAL INSPECTION BY CITY.



**CURB AND GUTTER DETAIL**

SP 02528-01

N.T.S.

7/2018